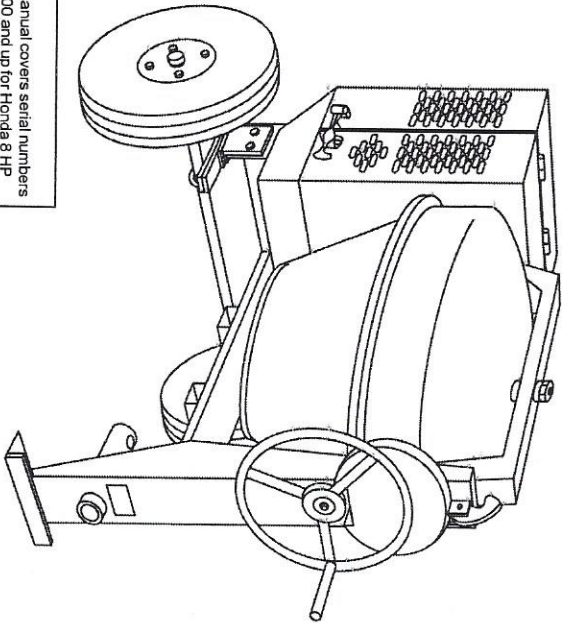


CM9

CONCRETE MIXERS 9 CUBIC FEET

Parts and operation Manual



This manual covers serial numbers
3890000 and up for Honda 8 HP

P/N 514212 REV #1 (MAY/30/04)

CM9



DANGER
BEFORE TOWING

BALL HITCH COUPLER

- 1 Check vehicle hitch, ball, and coupler for signs of wear or damage. Replace any parts that are worn or damaged before towing.
- 2 Use only the 2" ball diameter as indicated on your coupler. Use of any other ball diameter will create an extremely dangerous condition which can result in separation of the coupler and ball or ball failure.
- 3 Be sure the coupler is secured to the hitch ball and the lock lever is down tight and locked.
- 4 Check that trailer safety chains are properly connected.

RECOMMENDED MAINTENANCE

- 1 Smear ball socket and clamp face with chassis grease. Periodically oil pivot points and solutions surfaces of coupler with SAE 30 wt motor oil.
- 2 When parking or storing your trailer, keep the coupler off the ground so dirt will not build up in the ball socket.



DANGER
If housing is deformed, replace complete coupler-use only genuine Fulton repair kits.

IMPORTANT NOTICE

EPOXY COMPATIBILITY—There are some epoxies and other chemicals used in certain applications that are not compatible with polyethylene tubs.

Since MBW cannot control the end user's application of this product, we will not assume responsibility for the resulting damages when exposed to incompatible chemicals.

OPERATION

- With drum operating between 23 and 25 RPM:
- 1 Fill drum with the needed amount of water.
 - 2 Add the required amount of gravel.
 - 3 Add the required amount of cement.
 - 4 Add the required amount of sand.

After the required mixing time, grasp hand wheel firmly with one hand, releasing dump latch with the other, then using both hands on hand wheel to discharge.

To prevent accidental discharge, never release dump latch without grasping hand wheel firmly. Do not attempt to grab hand wheel to stop an accident discharge; injury could result to the operator.

2 MBW9 - PARTS & OPERATION MANUAL - REV#1 (MAY/30/04)

Be sure that dump latch is firmly locked into wheel after discharging concrete and before reloading drum.

CLEANING

For thorough mix and longer drum life, wash drum out after each use.

Never pour or spray water over the engine or electric motor.

TO STOP

Gasoline: Push "kill switch" on engine.

Electric: Turn motor off and disconnect power cord.

MAINTENANCE AND LUBRICATION

For long, trouble free service from this mixer, it is essential to perform periodic maintenance on the engine and machine.

Check the engine daily. Refer to engine owner's manual.

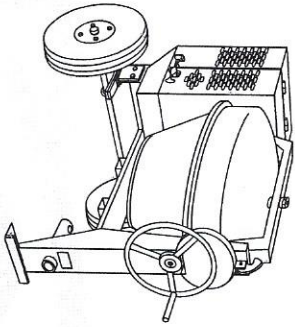
Grease weekly: Yoke support fitting, the hand wheel shaft fitting, drum spindle fitting. Use lithium grease grade No. 2.

WHEEL BEARINGS

After every 3 months of operation, remove the hub dust cap and inspect the wheel bearings. Once a year, or when required, disassemble the wheel hubs remove the old grease and repack the bearings forcing grease between rollers, cone and cage with a good grade of high speed wheel bearing grease (never use grease heavier than 265 A.S.T.M. penetration "No. 2"). Fill the wheel hub with grease to the inside diameter of the outer races and also fill the hub grease cap. Reassemble the hub and mount the wheel. Then tighten the adjusting nut, at the same time turn the wheel in both directions, until there is a slight bind to be sure all the bearing surfaces are in contact. Then back-off the adjusting nut 1/6 to 1/4 turn or to the nearest locking hole or sufficiently to allow the wheel to rotate freely within limits of .001" to .010" end play. Lock the nut at this position, install the cotter pin and dust cap, and tighten all hardware.

IMPORTANT NOTE:

Retorque wheel axle hardware and lug nuts after 25 miles.



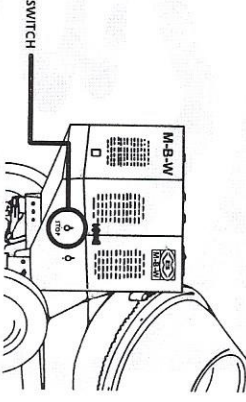
CM9

Refer to the following chart. For recommend plug sizes.

Motor	115 volt 1	230 volt 1
HORSE POWER		
1-1/2 & 3 HP	1-5/8" P/N:940545	1-5/8" P/N:940546
	1-5/8" P/N:940545	1-5/8" P/N:940546
	1-5/8" P/N:940545	1-5/8" P/N:940546
	1-5/8" P/N:940545	1-5/8" P/N:940546

CONTROLS

K/III Switch (Gasoline Engine Only) Located on the side of the engine cover.



BEFORE STARTING
 Before starting the engine, read the engine owners manual and thoroughly understand the safety information. Check the items listed below:

Oil Levels Be sure to check the oil levels in the engine and engine reduction unit before starting the unit.

Hardware Check all hardware on the mixer before starting. Periodically inspect all hardware. Loose hardware can contribute to early component failure and poor performance. Use the torque chart below as a general guideline and keep all hardware tight:

Hardware DIA	Torque (LB./FT.)
5/16" - 18	14
3/8" - 16	24
3/8" - 24	37
1/2" - 13	39
1/2" - 13 (Grade 8)	90

GASOLINE ENGINE CARE

For care and operation of the gasoline engine, refer to the engine manufacturer's operating instructions furnished with the engine.

CHANGING ENGINE OIL

We recommend draining and refilling the engine crankcase at least every thirty hours of operation. Check the engine oil level daily.

ELECTRIC MOTOR CARE

For lubrication care and operation of the electric motor, refer to your electric motor instruction booklet furnished with the motor.

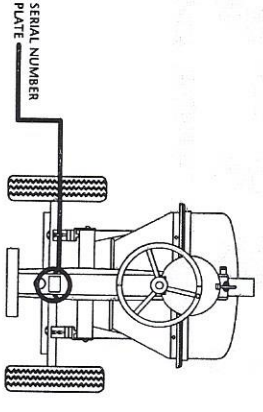
Protect the electric motor from dust as much as possible and keep ventilating openings clean. Do not spray water on the electric motor.

Engine Throttle and Choke Controls: Please refer to the engine owners manual for specific instructions. The electric motor switch (electric motor only) located on the motor — is used to start and stop the mixer.

CAUTION:

Stop the engine before allowing anybody to put their hands in the mixing drum.

SERIAL NUMBER PLATE LOCATION



CM9

TOWING - Before towing, check with local and state laws for proper compliance.

To tow and chain must be properly attached to the mixer and towing vehicle prior to towing. Refer to the following installation instruction:

Step 1 Insert the chain through the hole located in the towing pole.

Step 2 Cross the chain under the draw bar and fix two chain links to the connector link. Secure the chain to the towing vehicle using the connector link.

Step 3 Pass the chain under the vehicle bumper and lock both links with the connector link.

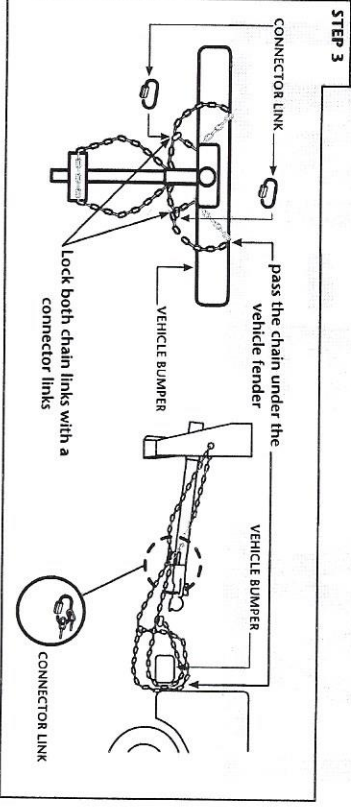
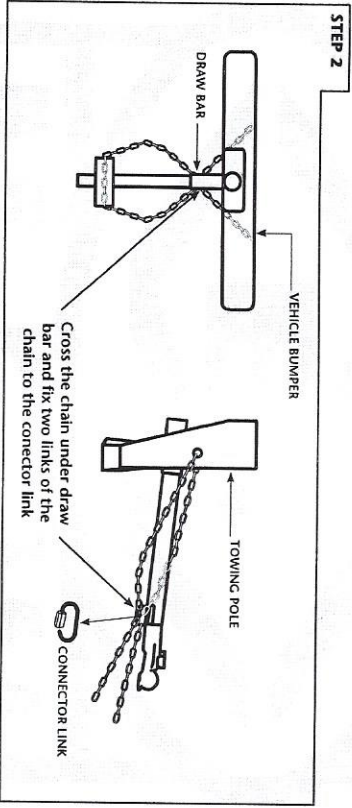
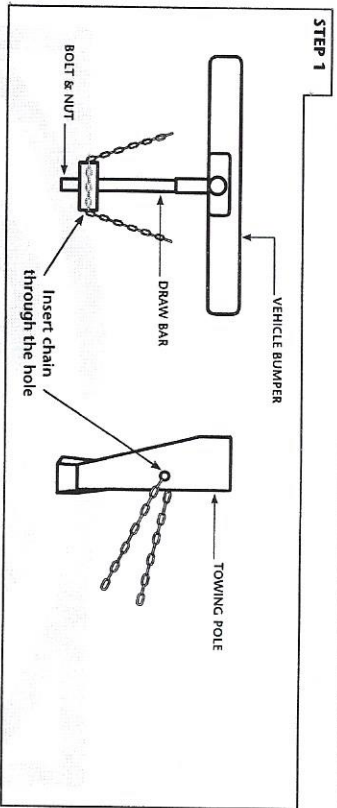
NOTE:

It is critical that the length of chain be properly adjusted to prevent the Draw Bar and front mixer to stand from drooping to the ground (contact). In the event the Draw Bar becomes disconnected from the towing vehicle and it will be supported by the chain.

NOTE:

Tow Bars are also available with ball hitch.

CM9



M81W9 - PARTS & OPERATION MANUAL - REV#1 (MAY/30/04) **5**

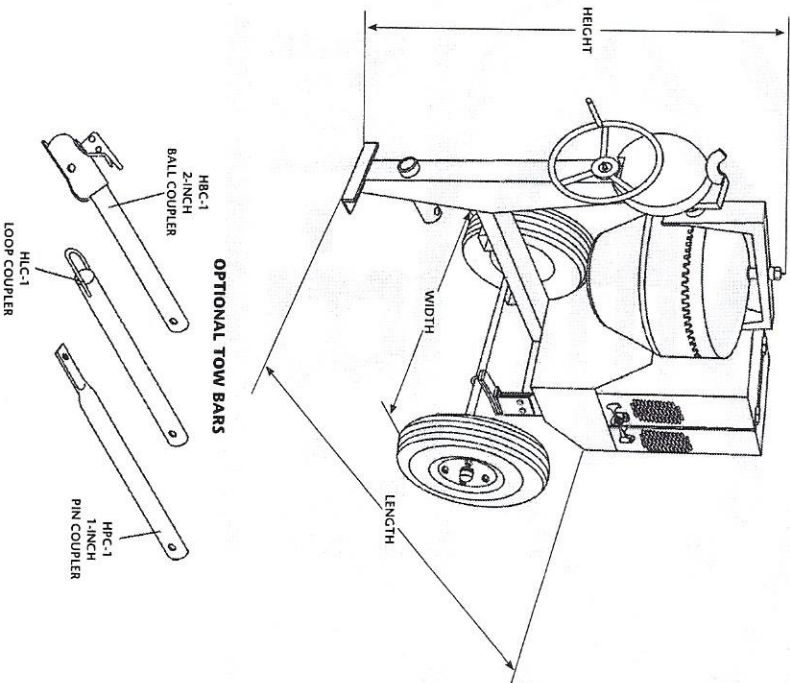
CM9

CM9 - SPECIFICATIONS

MODEL	U.S. (inch)	METRIC
Bag Capacity	1 - 1.5	
Drum Capacity	12.35 cu. ft.	350 liters
Milk Capacity	9.0 cu. ft.	255 liters
Weight with Engine	755 lbs.	342 kg.

SHIPPING DIMENSIONS

Length	86"	2185 mm
Width	51"	1295 mm
Height	63"	1600 mm



6 M81W9 - PARTS & OPERATION MANUAL - REV#1 (MAY/30/04)