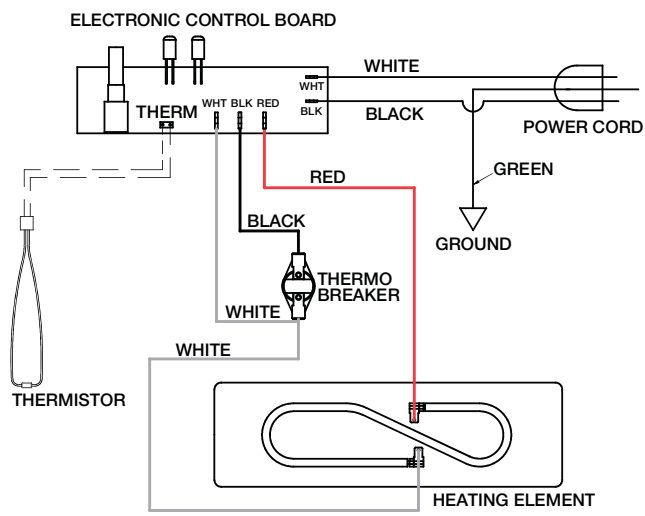


**WIRING DIAGRAM:**

**No. 945 ELECTRONIC IRON:**



**SPECIFICATIONS:**

**MODEL NO:** 945  
**VOLTAGE:** 120 VAC  
**AMPERAGE:** 7 AMPS  
**WATTAGE:** 800 W  
**TEMP. RANGE:** FROM 220°F TO 420°F

**GUARANTEE**

This Crain Electronic Iron is guaranteed to be free of defects in workmanship or quality of materials for a period of 2 years.

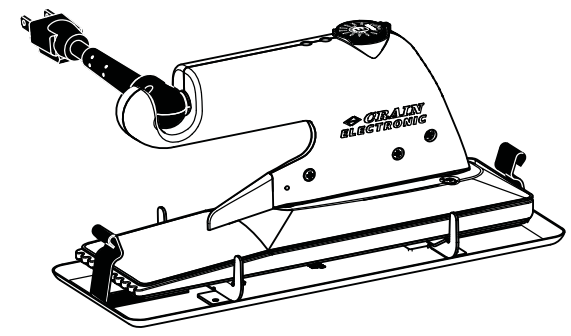
Any parts of tool found defective subject to the guarantee will be replaced at no charge. Credit in full or part cannot be extended by the distributor, nor will new tools be given as replacements or loaners.

Tools subject to this warranty must be accompanied by the same, and returned freight PREPAID to Milpitas, CA, and must be in assembled condition.

**MANUFACTURED DATE:** \_\_\_\_\_

**CRAIN CUTTER CO., INC.**  
 1155 WRIGLEY WAY, MILPITAS, CA 95035-5426  
 TEL: 408-946-6100 FAX: 408-946-4268

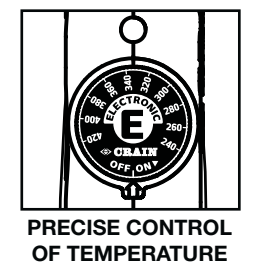
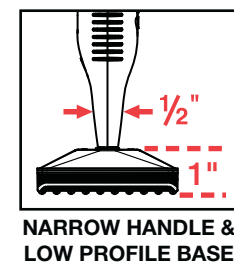
# INSTRUCTION MANUAL FOR



# CRAIN

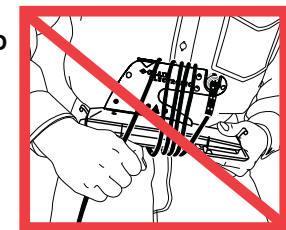
## ELECTRONIC HEAT BOND IRON

Model No. 945 - 120 V



**WARNING - CORD ABUSE**

**DON'T WRAP CORD TIGHTLY AROUND IRON**



**KEEP GLUE OFF IRON CORD**

**DON'T YANK CORD FROM ELECTRICAL SOCKET**

**DON'T REMOVE GROUND TERMINAL**

**ELECTRIC SHOCK & FIRE HAZARD**

## SAFEGUARDS - SAVE THESE INSTRUCTIONS

When using your iron, safety precautions should always be observed. Please read and observe ALL of the following:

This iron is designed to operate on a clean 120V 60Hz power source. Use on a generator or excessively long power cord can produce dirty power conditions that can cause erratic performance of the iron. Do not use this iron on such power if problems are observed.

To protect against a risk of electric shock, do not immerse the iron in water or other liquids.

The iron should always be turned to OFF before plugging or unplugging from outlet. Never yank the cord to disconnect from the outlet; instead, grasp the plug and pull to disconnect.

Do not allow the cord to touch hot surfaces. Let the iron cool completely before putting away.

Loop cord loosely around iron handle when storing. Do not operate the iron with a damaged cord, or if the iron has been dropped and damaged. To avoid the risk of electric shock, do not disassemble the iron. Take it to an authorized dealer or send it back to Crain for examination and repair. Incorrect reassembly can cause a risk of electric shock.

Close supervision is necessary for any appliance being used near children. Do not leave the iron unattended.

Burns can occur from touching hot metal parts.

This iron is intended for use with carpet seaming tapes ONLY.

The appliance is not to be used by children or persons with reduced physical, sensory or mental capabilities, or lack of experience and knowledge, unless they have been given supervision or instruction.

The iron must not be left unattended while it is connected to the supply mains (plugged-in to power).

When placing the iron in its tray, ensure that the surface on which the stand is placed is stable.

To reduce the risk of fire, when not in use, always store the iron in the iron tray.

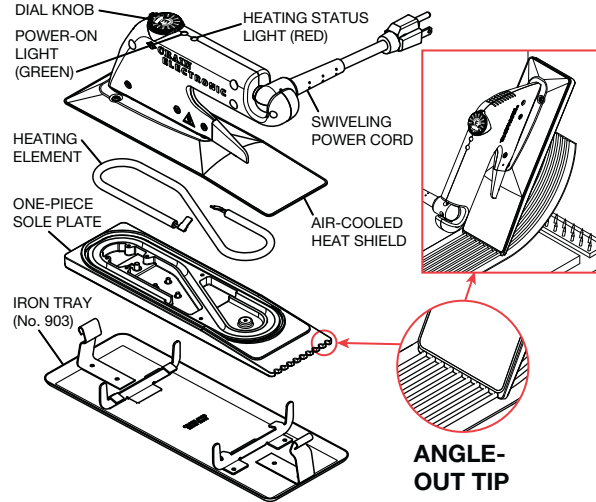
This is an 800-watt appliance. To avoid a circuit overload, do not operate another high wattage appliance on the same circuit.

This iron has a three-prong, grounded plug. It should be plugged into three-hole outlets. If an adapter is used to accommodate a two-prong outlet, the adapter wire must be attached to a known ground. NEVER remove ground

terminal from a three-prong plug.

If an extension cord is absolutely necessary, a 10-ampere cord should be used. Cords rated for less amperage may overheat, causing slow heating of the iron. Care should be taken to arrange the cord so that it cannot be pulled on or tripped over.

## FEATURES OF THE IRON:



**Electronic Temperature Control:** Set a desired temperature on the dial between 240°F and 420°F and this iron will maintain that temperature continuously +/- 15°F. Initial overshoot and subsequent swings in temperature are reduced by this iron's highly sensitive thermistor and responsive digital control board. For your reference, ten temperature settings are marked on the dial corresponding to temperatures between 240°F and 420°F.

**Dual Indicator Lights:** Situated on top of the handle, they show "Power-On", "Heating", and "Overheat Error" statuses:

**Power-On Light:** The green indicator light turns on when the dial knob is turned on. If the dial knob is turned off, this indicator light will turn off.

**Heating Status Light:** The red indicator light turns on during initial heating, and turns off when the set temperature is reached. As the iron reheats, this light turns on and off.

**Overheat Error Indication:** If the iron overheats, causing an internal thermal fuse to trip, the red and green lights will turn on and off simultaneously. To reset the iron after overheat, turn the dial knob all the way to off, then back on again, or unplug the iron from power. If the Overheat Error recurs, return the iron to Crain for repair.

**Non-Stick Sole Plate:** Coated for easy cleaning.

**Air-Cooled Heat Shield:** At maximum heat setting, the heat shield stays remarkably cool, at only 260°F. At this temperature, the heat shield is still hot enough to preheat the carpet's backing to accept the hot melt adhesive.

**Angle-Out Tip:** The sole plate has an angle-out tip at the back to prevent "dragging-off" the adhesive, especially in doorways where the iron is removed by angling up and out.

**Swiveling 12' Power Cord:** The swivel positions the cord to the left or the right to keep it out of the working area behind the iron. The 12' cord length is enough for most rooms.

## USING THE IRON:

Turn the iron on by turning the dial knob counter-clockwise. The iron runs a power-on self test where both lights flash, followed by the red and green lights flashing in succession. Afterwards, the iron heats to the set temperature.

Select a safe temperature for the kind of carpet and ambient temperature where you're installing. Be careful not to overheat carpets with synthetic backings or yarns, as shrinking and discoloration may result. If the iron is set at too low a temperature, a weak seam may result. A test seam is often a good idea.

Set the dial knob to the correct temperature. If the iron needs to heat, the red indicator light will turn on. When the red indicator light goes off, the desired temperature has been reached.

After the desired temperature has been reached, place the iron between the carpet edges, and on top of the seaming tape. When the adhesive is thoroughly melted, move the iron and press the carpet's backing into the adhesive.

Operating speed varies, depending on carpet construction and ambient temperature. At maximum temperature, the iron should seam at 3 to 4 feet per minute.

## IRON MAINTENANCE:

Keep your iron clean, preventing residual glue build-up. Excessive build-up can cause malfunction of internal mechanisms, undesirable smoke and odor, or fire.

The sole plate of your iron has a non-stick coating. Do not use a metal iron cleaning device or any sharp object to remove old adhesive. To remove old adhesive, let the iron cool completely, and peel off adhesive by hand. Another method of removing adhesive is to place the hot iron on a piece of seam tape, then turning the iron off. Let the iron cool on top of the seam tape. After the iron has cooled, peel the tape off the base of the iron. This removes all adhesive from the base quickly and easily.