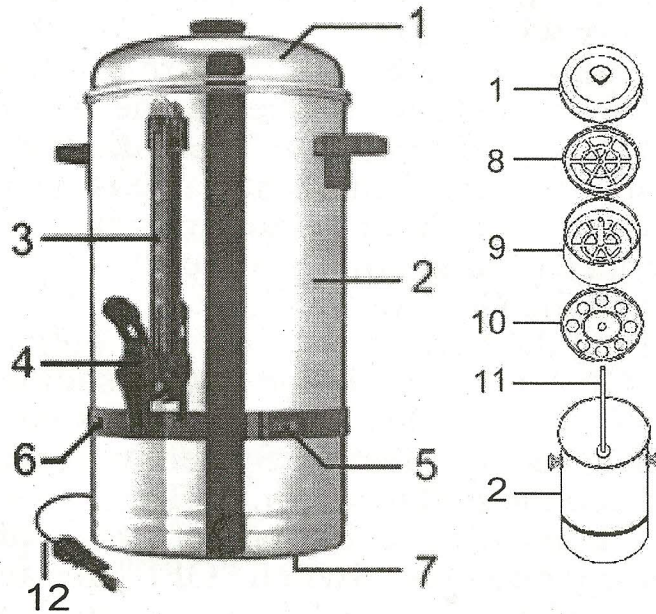
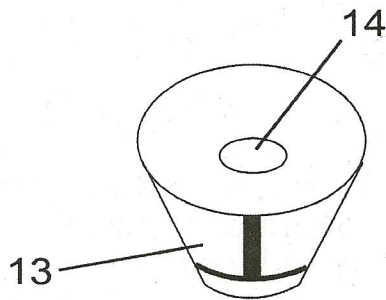


Operating Instructions

PERCOLATOR WATER BOILER

CE



Model No.: CP-40, CP-60, CP-100
Volt: 120V
Wattage: Max. 1350W.
Capacity: CP-40, 40 Cups, CP-60,
60 Cups, CP-100, 100 Cups

Warnings:

- **Never** immerse the machine in the water. If the machine has been soaked, it must be completely dried before using again.
- When the machine is in use, parts of the machine are very hot. Do not touch the hot parts and keep power cord away from hot parts.
- **Be careful** not to pour any water on or near power cord.
- Stay in vicinity of machine while it is in operation.
- Always use handles to transport machine.
- Make sure machine is placed on a strong, horizontal surface before using.
- Unplug appliance when not in use. Allow appliance to cool before removing parts or emptying coffee grounds.
- Scalding may occur if the lid is removed during the brewing cycle.

Parts of the Percolator (Please check parts before installation)

1. Cover
2. Urn Body
3. Level Indicator
4. Faucet
5. Power Switch
6. Indicator Lamp
7. Urn Base
8. Basket Cover
9. Filter Basket
10. Basket Tray
11. Percolator Tube
12. Cord
13. Bottom of Urn
14. Heating Element

